

## DESIGN DIY

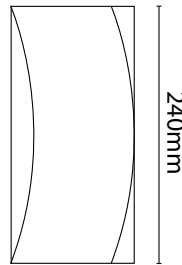
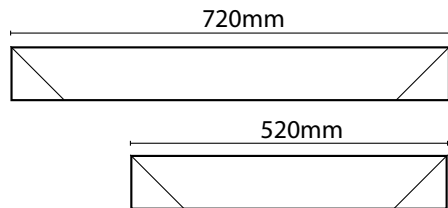
This is the third in our Working with Wood series presented by Greg de Villiers. Throughout the series we will introduce you to some amazing new tools on the market that take the 'work' out of woodworking.

# Planter Box



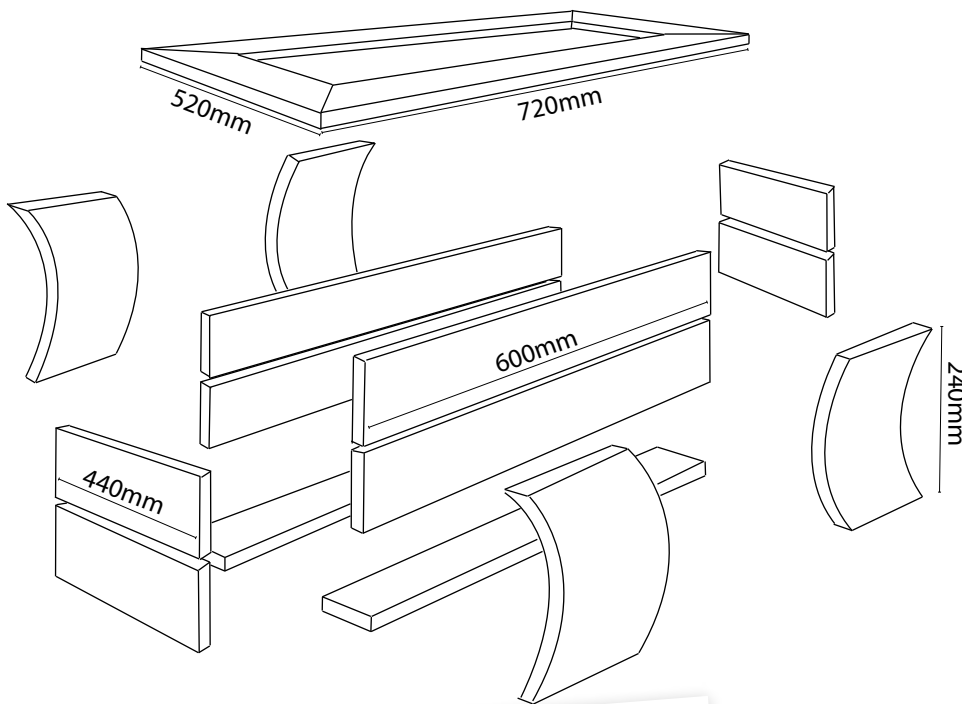
## A new slant on an old classic

### What you do



**1**

Start by cutting all your timber according to the cutting list.



#### Cutting list

SA pine cut to the following dimensions:

- 4 x 600mm x 94mm x 22mm (box sides)
- 4 x 440mm x 94mm x 22mm (box ends)
- 2 x 640mm x 94mm x 22mm (box base)
- 4 x 240mm x 200mm x 22mm (legs)
- 2 x 720mm x 94mm x 22mm (Top frame sides)
- 2 x 520mm x 94mm x 22mm (Top frame ends)

1 x plastic box (about 550mm x 400mm x 180mm, to fit into the planter box)

32 x 34mm Kreg screws

12 x 40mm cut screws

Howard SunShield wax

#### TOOLS

Festool Track Saw and Multi-Function Table, Festool Jigsaw, Triton Cordless Drill and Impact Driver, Triton Geared Eccentric Sander, Kreg K4 Pocket Hole Jig, tape measure, pencil, combination square, Kreg clamps



**3**

On a flat surface, place the planks together in their pairs (two box sides, two box ends against each other).



**2**

Chamfer one long edge of each of the box side and box end planks, by setting the track saw to 45° and cutting off the edge. This will give you a nicer looking joint when the box is finished.



4

Turn the planks over, then use the Kreg jig and drill your pocket holes for joining the timber together.



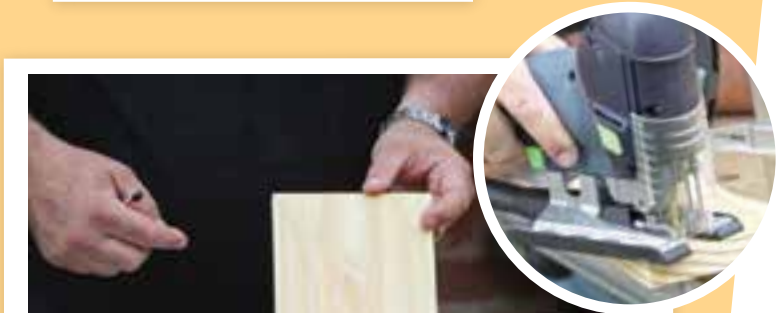
5

Assemble the side and end panels using Kreg screws and an impact driver.



6

Again using the Kreg jig, drill pocket holes and make up the box.



7

Using a piece of cardboard, draw and cut out a template for the legs. Using the template and a pencil, mark out the legs. Cut the legs out using the jigsaw and sand the curves smooth with the eccentric sander.



8

Attach the legs to the box, driving the cut screws in from the inside of the box so that you don't see the screw heads in the legs.



9

To make up the top frame, mark the ends of the frame lengths and cut them at 45°. Make sure that each end is correctly angled so that the frame matches up.



10

Using the Kreg jig, drill two pocket holes in each end of the two 520mm side pieces. Join them to the 720mm pieces to form the frame.



11

Using the Kreg jig, drill holes in the end panels of the box to attach the frame to the box, and screw it together.



12

Drop the plastic planting box into the box from the bottom, and attach the two base panels to support it.



13

Give the planter box one final sanding, removing all rough or sharp edges, and then apply a coat of Howard SunShield wax to protect it from the elements.



# WIN with TRITON Tools

## Triton Tools is giving away a WoodRack Storage System

This useful storage system provides generous storage capacity for timber, pipes and other long items. For internal or external mounting applications in workshops, garages, sheds, on fences and walls, or wherever you need it. This system provides six levels of storage and is made from steel tubing, powder coated for increased durability and lifespan, and is simple to install.

[www.vermontsales.co.za](http://www.vermontsales.co.za)

[www.facebook.com/TheGardenerMag](https://www.facebook.com/TheGardenerMag)

To enter the competition and stand a chance to win this great prize, please go to our Facebook pages and like and share the competition post. Competition ends 24 July 2017. Terms and conditions apply.



**triton**  
Precision Power Tools

